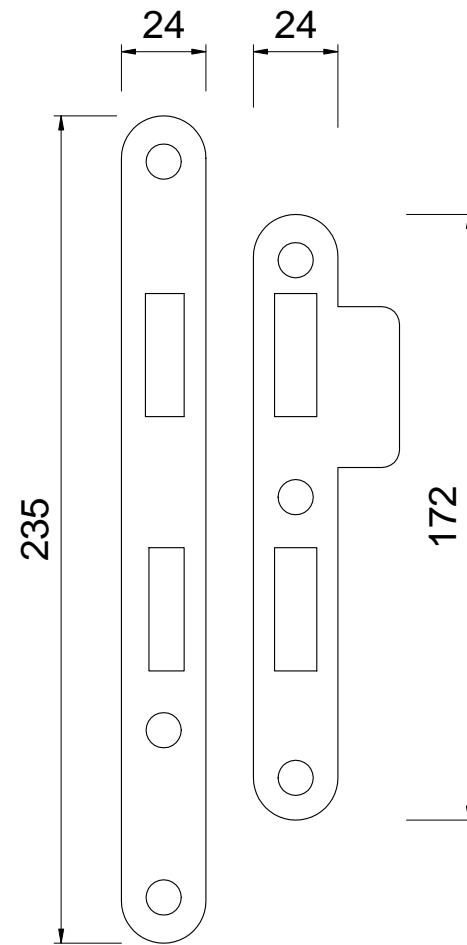
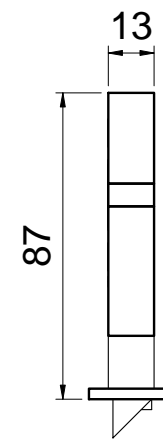


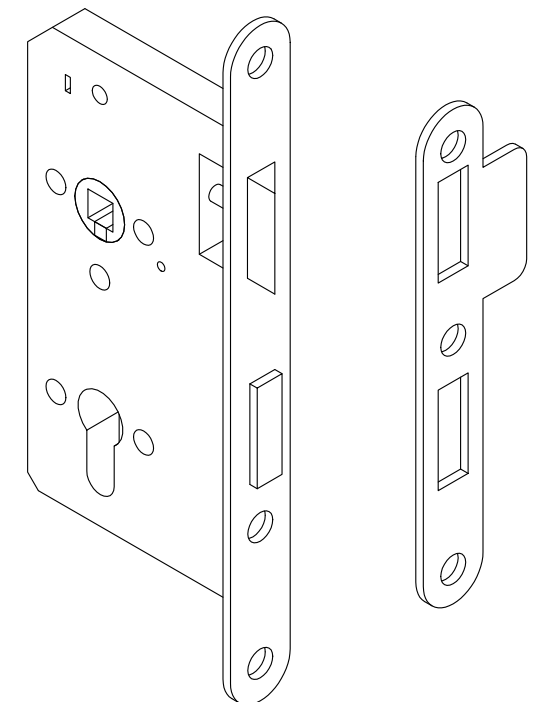
02 Side View
1 : 2



03 Front View
1 : 2




04 Top View
1 : 2



01 3D View

| Locks / Lockcases | | | | |
|-------------------|------------------------------|------------------------|--------|--------------------------------|
| Item | Description | Material | Forend | Finish Option |
| KL-1901R | KCC Modular Mortice Sashlock | Stainless Steel Forend | Radius | Satin Stainless Steel (Forend) |

| Rev | Date | Description | Initial |
|---|------|--------------------------|---------|
| Title : KL-1901R | | | |
| Contract : KCC Architectural | | | |
| Scales are as shown, original drawing size A3 | | | |
|  | | Creator : Sohraab | |
| | | Checked by : Sandy | |
| | | Scale : N.T.S | |
| | | First issue : 16-01-2018 | |
| | | Project No : | |
| DRG No : | | Rev | A |